

GOVERNMENT OF NATIONAL CAPITAL TERRITORY OF DELHI
DIRECTORATE OF EDUCATION: SPORTS BRANCH
CHHATRASAL STADIUM: MODEL TOWN: DELHI-110009

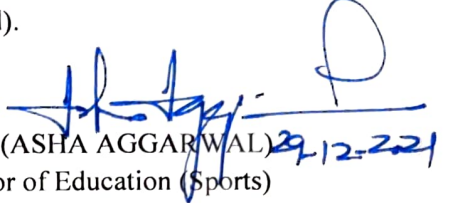
No. DE.41/ Sports/2021/ 5075-5124

Dated: - 29/12/21

CORRIGENDUM

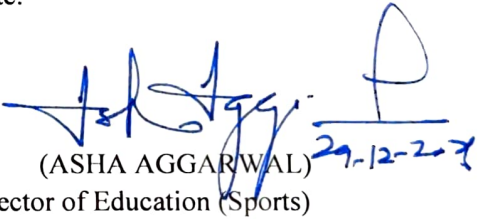
Sub:- Revised fixture of Delhi State School Games (Handball) for the year 2021-22

In reference to the Circular No. DE.41/Sports/2021/4643-4692 dated 24.12.2021, it was found that there were few technical issues that were involved in the fixtures of Handball tournament. Keeping in view of above the revised fixtures for Delhi State School Games 2021-22 in the discipline of Handball are uploaded. (Copy enclosed).


(ASHA AGGARWAL) 29.12.21
Deputy Director of Education (Sports)

Copy forwarded to the:-

1. All Spl. DEs
2. All Addl. DEs
3. All RDEs
4. All DDEs of the District and zones
5. All ADEs
6. All SPEs
7. PS to Secy. (Edn.)
8. PS to Director (Edn)
9. OS (IT) with the request to place the circular on website.


(ASHA AGGARWAL) 29.12.21
Deputy Director of Education (Sports)

Government of NCT Directorate of Education (Sports Branch)
 Delhi State School Games Tournament 2021-22
 Venue:- Sports center FU Block, Pitampura

**FIXTURE
 HAND BALL BOYS (U-19)**

1	ZONE	05							
2	Bye								
3	ZONE	08			11:30AM				
4	ZONE	14		9:00AM	05/01/22				
5	ZONE	23				1:00PM			
6	ZONE	25		9:00AM	05/01/22				
7	ZONE	12		05/01/22	11:30AM				
8	ZONE	11		9:00AM	05/01/22			10:00AM	
9	ZONE	27						06/01/22	
10	ZONE	15		9:45AM					
11	ZONE	09		05/01/22	11:30AM				
12	ZONE	19		9:45AM	05/01/22				
13	ZONE	28		05/01/22		1:00PM			
14	ZONE	20		9:45AM	05/01/22				
15	Bye				12:15PM				
16	ZONE	17			05/01/22				
17	ZONE	13						2:00PM	
18	ZONE	21		9:45AM				06/01/22	
19	ZONE	18		05/01/22	12:15PM				
20	ZONE	26		10:15AM	05/01/22				
21	ZONE	02		05/01/22		2:15PM			
22	ZONE	06		10:15AM	05/01/22				
23	ZONE	07		05/01/22	12:15PM			12:15PM	
24	ZONE	04		10:15AM	05/01/22			06/01/22	
25	ZONE	16							
26	ZONE	10		10:45AM	05/01/22				
27	ZONE	29		05/01/22	12:45PM				
28	ZONE	24		10:45AM	05/01/22				
29	ZONE	03		05/01/22		2:15PM			
30	ZONE	01		10:45AM	05/01/22				
31	Bye				12:45AM				
32	ZONE	22		05/01/22					

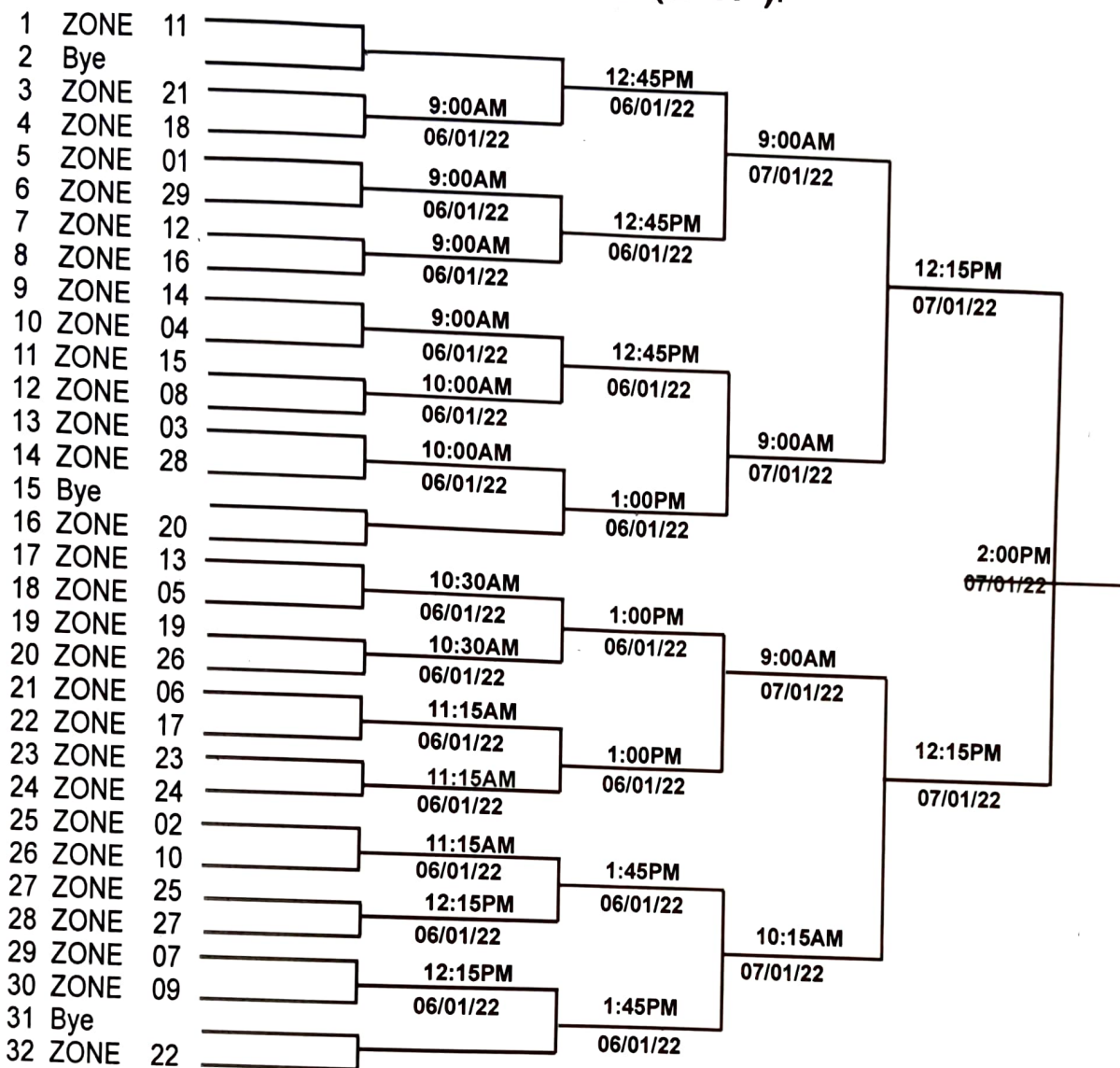
- . All Participation team shall report at the tournament venue 15 min, before the schedule time in proper kit along chest Nos.
- . list of the playe of team should be submitted to ground in-charge having all particular.
- . (Name ,father Name ,school ,class/section , Adm. No. and DOB) of player as per school record.
- . the Ground in-charge has all right to change schedule under unformesion circumstancce .
- . Hard line match will be player on the last day 3rd & 4th place on Date 6/1/2022 & time 1:00 pm tournament.
- . all player must have their identity card verified from school principal and zone convener/ secretary during their matches


SMT.ASHA AGGARWAL
 (DDE SPORTS) ORG. SECRETARY



P.P.SINGH / MUKESH MANN
 9891945244 9868031407


Government of NCT Directorate of Education (Sports Branch)
 Delhi State School Games Tournament 2021-22
 Venue:- Sports center FU Block, Pitampura

**FIXTURE
 HAND BALL BOYS (U-17)I**



- All Participation team shall report at the tournament venue 15 min, before the schedule time in proper kit along chest Nos.
- list of the playe of team should be submitted to ground in-charge having all particular.
- (Name ,father Name ,school ,class/section , Adm. No. and DOB) of player as per school record.
- the Ground in-charge has all right to change schedule under unformesion circumstance .
- Hard line match will be player on the last day 3rd & 4th place on Date 7 /1/2022 & time2:00 pm tournament.
- all player must have their identity card verified from school principal and zone convener/ secretary during their matches


SMT.ASHA AGGARWAL
 (DDE SPORTS) ORG. SECRETARY

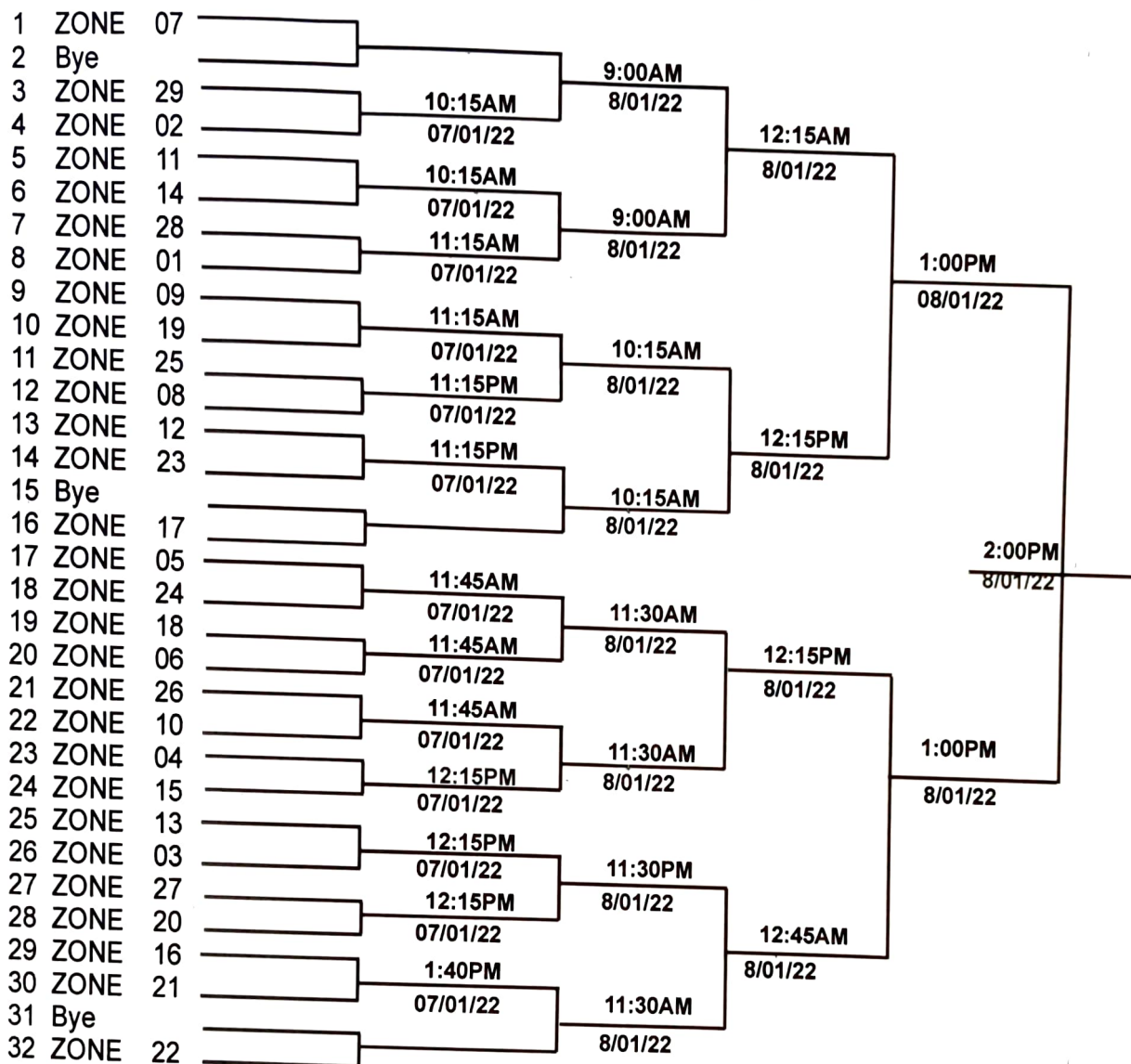

P.P.SINGH / MUKESH MANN
 9891945244 9868031407

Government of NCT Directorate of Education (Sports Branch)

Delhi State School Games Tournament 2021-22

Venue:- Sports center FU Block, Pitampura

**FIXTURE
HAND BALL BOYS (U-14)**



- All Participation team shall report at the tournament venue 15 min, before the schedule time in proper kit along chest Nos.
- list of the playe of team should be submitted to ground in-charge having all particular.
- (Name ,father Name ,school ,class/section , Adm. No. and DOB) of player as per school record.
- the Ground in-charge has all right to change schedule under unformesion circumstance .
- Hard line match will be player on the last day 3rd & 4th place on Date 8 /1/2022 & time 1:00 pm tournament.
- all player must have their identity card verified from school principal and zone convener/ secretary during their matches



SMT.ASHA AGGARWAL
(DDE SPORTS) ORG. SECRETARY



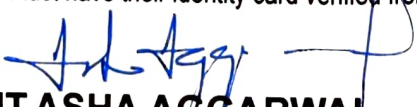
P.P.SINGH / MUKESH MANN
9891945244 9868031407

Government of NCT Directorate of Education (Sports Branch)
 Delhi State School Games Tournament 2021-22
 Venue:- Sports center FU Block, Pitampura

**FIXTURE
 HAND BALL GIRLS (U-19)**

1	ZONE 10					
2	Bye			11:50AM		
3	ZONE 29		9:00AM	10/01/22		
4	ZONE 05		10/01/22		9:00AM	
5	ZONE 19		9:00AM		11/01/22	
6	ZONE 08		10/01/22	11:50AM		
7	ZONE 20		9:00AM	10/01/22		10:00AM
8	ZONE 16		10/01/22			11/01/22
9	ZONE 17		9:45AM			
10	ZONE 24		10/01/22	11:50AM		
11	ZONE 27		9:45PM	10/01/22		
12	ZONE 12		10/01/22		9:00AM	
13	ZONE 09		9:45PM		11/01/22	
14	ZONE 23		10/01/22	12:30PM		
15	Bye			10/01/22		
16	ZONE 04					2:00PM
17	ZONE 18		10:30AM			11/01/22
18	ZONE 03		10/01/22	12:30PM		
19	ZONE 14		10:30AM	10/01/22	11:15AM	
20	ZONE 06		10/01/22		11/01/22	
21	ZONE 26		10:30AM			12:15PM
22	ZONE 02		10/01/22	12:30PM		
23	ZONE 13		11:15AM	10/01/22		11/01/22
24	ZONE 07		10/01/22			
25	ZONE 21		11:15AM			
26	ZONE 01		10/01/22	1:15PM		
27	ZONE 22		11:15AM	10/01/22		
28	ZONE 25		10/01/22		11:15AM	
29	ZONE 15		11:15AM		11/01/22	
30	ZONE 28		10/01/22	1:15AM		
31	Bye			10/01/22		
32	ZONE 11					

- . All Participation team shall report at the tournament venue 15 min, before the schedule time in proper kit along chest Nos.
- . list of the playe of team should be submitted to ground in-charge having all particular.
- . (Name ,father Name ,school ,class/section , Adm. No. and DOB) of player as per school record.
- . the Ground in-charge has all right to change schedule under unformesion circumstance .
- . Hard line match will be player on the last day 3rd & 4th place on Date 11 /1/2022 & time 2:00 pm tournament.
- . all player must have their identity card verified from school principal and zone convener/ secretary during their matches



SMT.ASHA AGGARWAL
 (DDE SPORTS) ORG. SECRETARY



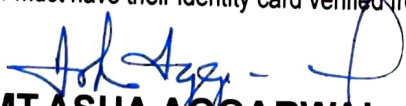
P.P.SINGH / MUKESH MANN
 9891945244 9868031407

Government of NCT Directorate of Education (Sports Branch)
 Delhi State School Games Tournament 2021-22
 Venue:- Sports center FU Block, Pitampura

**FIXTURE
 HAND BALL GIRLS (U-17)**

1	ZONE 18						
2	Bye						
3	ZONE 05			9:00AM			
4	ZONE 22		10:00AM	12/01/22			
5	ZONE 03		11/01/22		12:30PM		
6	ZONE 21		10:00AM	12/01/22			
7	ZONE 20		11/01/22	9:00AM			
8	ZONE 15		10:00AM	12/01/22		12:15PM	
9	ZONE 19		11/01/22			13/01/22	
10	ZONE 04		11:45AM				
11	ZONE 07		11/01/22	10:30AM			
12	ZONE 23		12:30PM	12/01/22			
13	ZONE 28		11/01/22		12:30PM		
14	ZONE 02		12:30PM	12/01/22			
15	Bye		11/01/22	10:30AM			
16	ZONE 24			12/01/22			
17	ZONE 17					2:00PM	
18	ZONE 01		12:30AM		13/01/22		
19	ZONE 14		11/01/22	11:15AM			
20	ZONE 06		1:15PM	12/01/22	1:15PM		
21	ZONE 08		11/01/22		12/01/22		
22	ZONE 29		1:15PM				
23	ZONE 11		11/01/22	11:15AM		12:15PM	
24	ZONE 25		12:15PM	12/01/22		13/01/22	
25	ZONE 13		11/01/22				
26	ZONE 12		1:15PM				
27	ZONE 26		11/01/22	11:45AM			
28	ZONE 09		1:40PM	12/01/22			
29	ZONE 16		11/01/22		1:15PM		
30	ZONE 27		1:40PM	12/01/22		12/01/22	
31	Bye		12/01/22	11:45AM			
32	ZONE 10			12/01/22			

- . All Participation team shall report at the tournament venue 15 min, before the schedule time in proper kit along chest Nos.
- . list of the playe of team should be submitted to ground in-charge having all particular.
- . (Name ,father Name ,school ,class/section , Adm. No. and DOB) of player as per school record.
- . the Ground in-charge has all right to change schedule under unformesion circumstance .
- . Hard line match will be player on the last day 3rd & 4th place on Date 13 /1/2022 & time 2:00 pm tournament.
- . all player must have their identity card verified from school principal and zone convener/ secretary during their matches


SMT.ASHA AGGARWAL
 (DDE SPORTS) ORG. SECRETARY


P.P.SINGH / MUKESH MANN
 9891945244 9868031407

Government of NCT Directorate of Education (Sports Branch)
 Delhi State School Games Tournament 2021-22
 Venue:- Sports center FU Block, Pitampura

**FIXTURE
 HAND BALL GIRLS (U-14)I**

1	ZONE	10						
2	Bye							
3	ZONE	29		10:00AM	14/01/22			
4	ZONE	02		13/01/22		9:00AM		
5	ZONE	19		10:00AM		14/01/22		
6	ZONE	06		13/01/22	9:00AM			
7	ZONE	28		10:45AM	14/01/22		10:00AM	
8	ZONE	11		13/01/22			14/01/22	
9	ZONE	17		11:45AM				
10	ZONE	14		13/01/22	10:30AM			
11	ZONE	07		11:45PM	14/01/22			
12	ZONE	23		13/01/22		9:00AM		
13	ZONE	05		11:45PM		14/01/22		
14	ZONE	15		13/01/22	10:30AM			
15	Bye				14/01/22			
16	ZONE	09					2:00PM	
17	ZONE	20		12:30AM			14/01/22	
18	ZONE	01		13/01/22	11:15AM			
19	ZONE	26		12:30PM	14/01/22	11:15AM		
20	ZONE	03		13/01/22		14/01/22		
21	ZONE	08		1:15PM			12:15PM	
22	ZONE	27		13/01/22	11:15AM			
23	ZONE	12		12:30PM	14/01/22		14/01/22	
24	ZONE	25		13/01/22				
25	ZONE	13		1:15PM				
26	ZONE	22		12/01/22	1:15PM			
27	ZONE	04		1:15PM	14/01/22			
28	ZONE	24		13/01/22		11:15AM		
29	ZONE	21		1:40PM		14/01/22		
30	ZONE	16		13/01/22	1:15AM			
31	Bye				14/01/22			
32	ZONE	18						

- . All Participation team shall report at the tournament venue 15 min, before the schedule time in proper kit along chest Nos.
- . list of the playe of team should be submitted to ground in-charge having all particular.
- . (Name ,father Name ,school ,class/section , Adm. No. and DOB) of player as per school record.
- . the Ground in-charge has all right to change schedule under unformesion circumstance .
- . Hard line match will be player on the last day 3rd & 4th place on Date 14 /1/2022 & time2:00 pm tournament.
- . all player must have their identity card verified from school principal and zone convener/ secretary during their matches


SMT.ASHA AGGARWAL
 (DDE SPORTS) ORG. SECRETARY


P.P.SINGH / MUKESH MANN
 9891945244 9868031407